

HOME Series



lux

Solar Lights

Ver 2509.19

HL Home Lights Series

03



HL-WALL-06

06



HL-WALL-11

09



HL-WALL-12

12



HL-WALL-15

15



HL-WALL-18

18



HL-WALL-20/40

22



HL-POLE-03

25



HL-BASE-07

28



HL-BASE-15/25

31



HL-STEP-06

HL-WALL-06 Solar Lamp

Wall lamp for domestic use, with high brightness level (2000 lm), wide lighting area, and remote control for configuration at a distance.

Smart Battery Management (SBM) for longer battery lifespan
High-efficiency 2W polycrystalline solar panel

Different operation modes selectable by the user: M1: 60 lm until PIR activation (100% for 10s) M2: 120 lm until PIR activation (100% for 10s) M3: 200 lm × 5h and 40 lm continuous until dawn + PIR

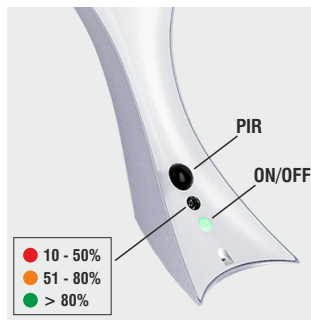
More than 10 nights of continuous operation with partial recharges on cloudy or rainy days



Remote control included



OSRAM LEDs (190 lm/W)



PIR sensor +
Battery level indicator



High-efficiency
polycrystalline solar panel

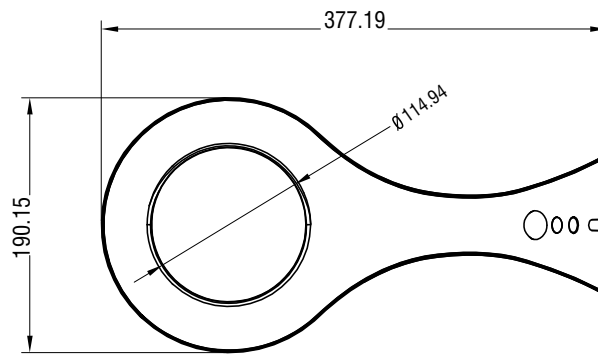


IP65 protection / IK10 impact
resistance for outdoor use

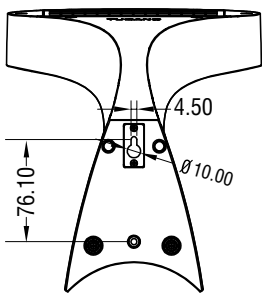


Dimensions / Dimensiones

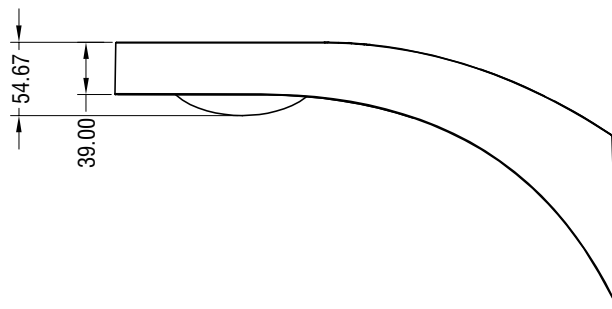
Top View / Vista Lateral



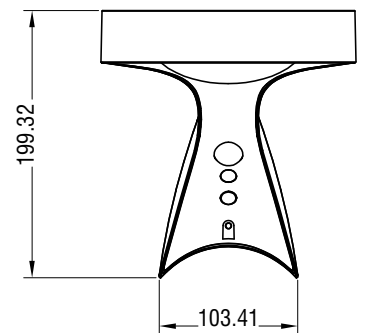
Rear View / Vista Trasera



Side View / Vista Lateral



Front View / Vista Frontal



Packing Information / Información de Empacado:

Model Modelo	Packing Type Tipo de Empaque	Packed Units Unidades Empacadas	Dimensions / Dimensiones Carton / Cartón (mm)	Carton Weight / Peso Cartón (Kg)	
				Net/Neto	Gros/Bruto
HL-WALL-06	Inner Box / Caja Interna	1	455 x 162 x 238	1.02	1.37
	Carton / Cartón	4	660 x 470 x 257	4	6.5

Net and Gross weight information is for reference purposes only / La información de pesos Neto y Bruto, es solo referencial

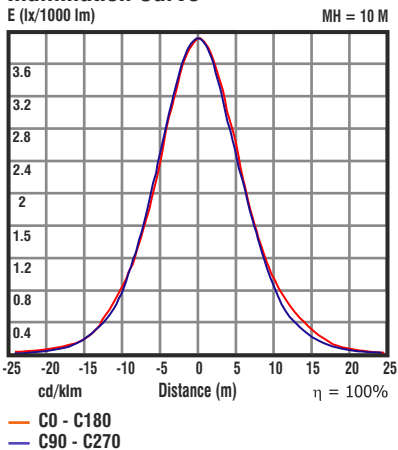
HL-WALL-06

Technical Specifications / Especificaciones Técnicas

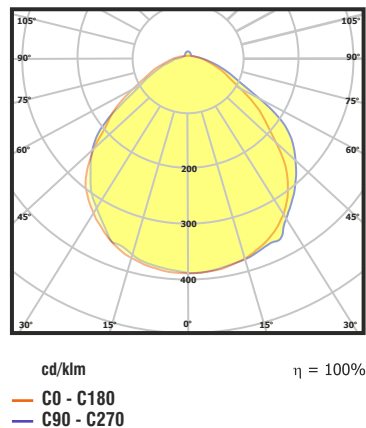
HL-WALL-06	
Luminosity / Luminosidad (LM)	2000
SOLAR PANEL / PANEL SOLAR	
Type & Capacity / Tipo y Capacidad	Polycrystalline / Policristalino, 2W
Li-Ion BATTERY / BATERIA Li-Ion	
Capacity / Capacidad	3.7 Vdc / 19.24 WH / 2.600 mAH
Charge & Discharge Temperature / Temperatura de Carga y Descarga	Charge / Carga: 0 to/a 45 °C Discharge / Descarga: -20 to/a 60 °C
Recharge Time / Tiempo de Recarga	13 H
ILLUMINATION / ILUMINACION	
LED (OSRAM)	2835 - 40pcs
Light Color Temperature / Temperatura de Color de la Luz	3000K, Ra 80+
Eficiencia	190 lm/W
OPERATION / OPERACION	
Backup (During cloudy days) / Autonomía (con Poca Luz Solar)	Up to 10 nights / Hasta 10 noches
Operation Modes / Modos de Operación	Mode 1: 60LM + PIR 2000LMx10s Mode 2: 120LM + PIR 2000LMx10s Mode 3: 200LMx5H + 40LM+PIR Untill Dawn/Hasta amanecer
Mode Indication / Indicación de Modo	Mode 1: Red - Mode 2: Green - Mode 3: Orange Modo 1: Rojo - Modo 2: Verde - Modo 3: Naranja
Capacity Indication / Indicador de Capacidad	Green / Verde: >70% Orange / Naranja: 70% to / a 30% Red / Rojo: <30%
PIR	120°, >5m
IP/IK Codes / Códigos IP/IK	IP65 / IK10
Directives / Normativas	CE (IEC60598-1 / IEC60598-2-3 / EN55015 / EN61547)
Installation Height / Altura de Instalación	2.5m to/a 3.5m

Lighting Curves and Characteristics

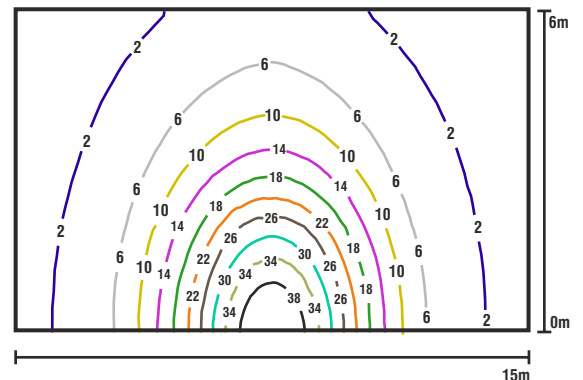
Illumination Curve



Luminance Distribution



Simulation Diagram



HL-WALL-11 Solar Lamp

Minimalist design and high illumination level. The perfect solution for homes requiring lighting activated by motion detection.



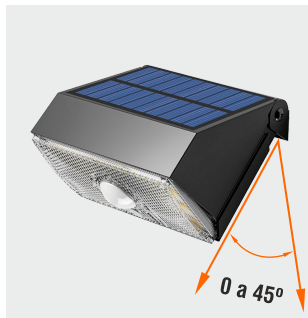
Smart Battery Management (SBM) for longer battery lifespan
High-efficiency polycrystalline solar panel

Different operation modes selectable by the user:
M1: 0% until PIR activation (100% for 10s)
M2: 20 lm until PIR activation (100% for 10s)
M3: 20 lm continuous until dawn

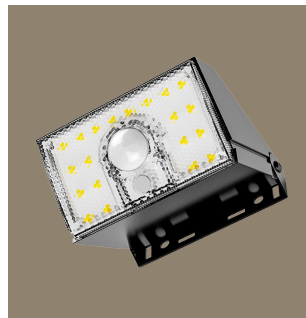
More than 10 nights of continuous operation with partial recharges on cloudy or rainy days.



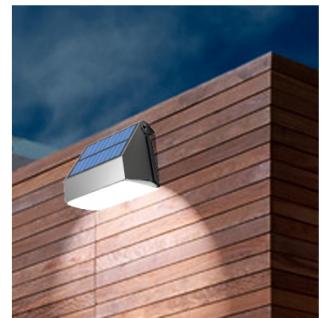
OSRAM LEDs (190 lm/W)
PIR for automatic activation



Adjustable lighting angle



Mounting with screws or straps

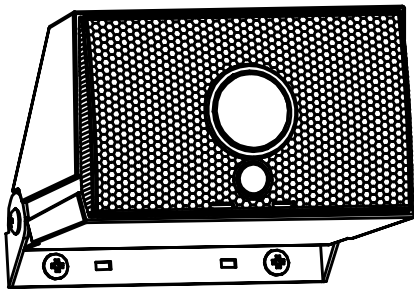


IP65 protection / IK10 impact
resistance for outdoor use

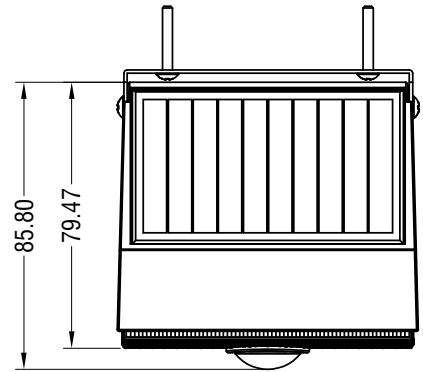


Dimensions / Dimensiones

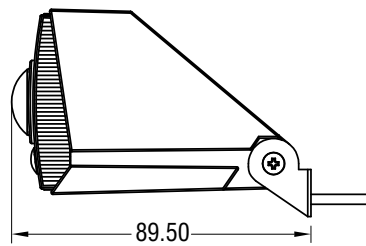
Isometric View / Vista Isométrica



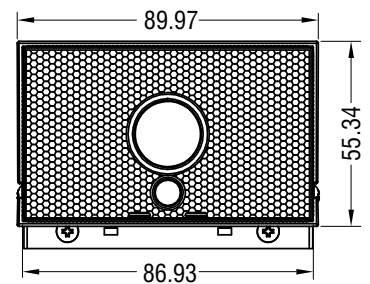
Top View / Vista Superior



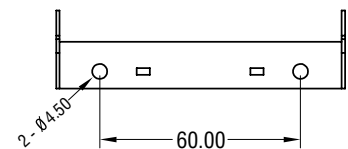
Side View / Vista Lateral



Front View / Vista Frontal



Rear View (Installation Orifices)
Vista Trasera (Orificios de Instalación)



Packing Information / Información de Empacado:

Model Modelo	Packing Type Tipo de Empaque	Packed Units Unidades Empacadas	Dimensions / Dimensiones Carton / Cartón (mm)	Carton Weight / Peso Cartón (Kg)	
				Net/Neto	Gros/Bruto
HL-WALL-11	Inner Box / Caja Interna	1	95 x 60 x 87	0.19	0.2
	Carton / Cartón	24	372 x 325 x 305	12	12.5

Net and Gross weight information is for reference purposes only / La información de pesos Neto y Bruto, es solo referencial

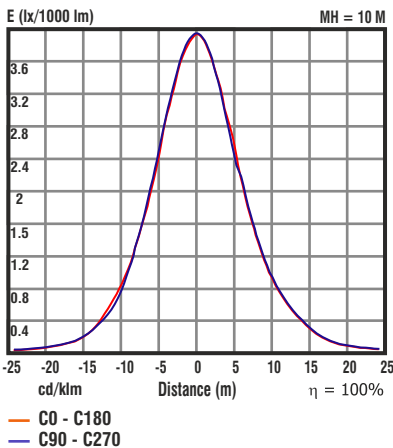
HL-WALL-11

Technical Specifications / Especificaciones Técnicas

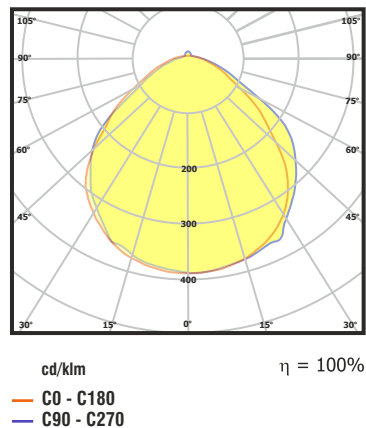
HL-WALL-11	
Luminosity / Luminosidad (LM)	1000
SOLAR PANEL / PANEL SOLAR	
Tipo / Type	Polycrystalline / Policristalino
Capacidad / Capacity (W)	0.5
Li-Ion BATTERY / BATERIA Li-Ion	
Capacity / Capacidad	3.7 Vdc / 7.4WH / 2.000 mAh
Charge & Discharge Temperature / Temperatura de Carga y Descarga	Charge / Carga: 0 to/a 45 °C Discharge / Descarga: -20 to/a 60 °C
Recharge Time / Tiempo de Recarga	20 H
ILLUMINATION / ILUMINACION	
LED (OSRAM)	2835 - 20pcs
Light Color Temperature / Temperatura de Color de la Luz	4000K, Ra 80+
Efficiency / Eficiencia	190 lm/W
OPERATION / OPERACION	
Backup (During cloudy days) / Autonomía (con Poca Luz Solar)	Up to 10 nights / Hasta 10 noches
Operation Modes / Modos de Operación	Mode 1: 0LM + PIR 1000LMx10S Mode 2: 20LM + PIR 1000LMx10S Mode 3: 20LM
Mode Indication / Indicación de Modo	Mode 1: 1 Flash - Mode 2: 2 Flashes - Mode 3: 3 Flashes Modo 1: 1 Destello - Modo 2: 2 Destellos - Modo 3: 3 Destellos
Capacity Indication / Indicador de Capacidad PIR	N/A 120°, >5m
IP/IK Codes / Códigos IP/IK	IP65 / IK10
Directives / Normativas	CE (IEC60598-1 / IEC60598-2-3 / EN55015 / EN61547)
Installation Height / Altura de Instalación	2.0 to/a 3.0 mts

Lighting Curves and Characteristics

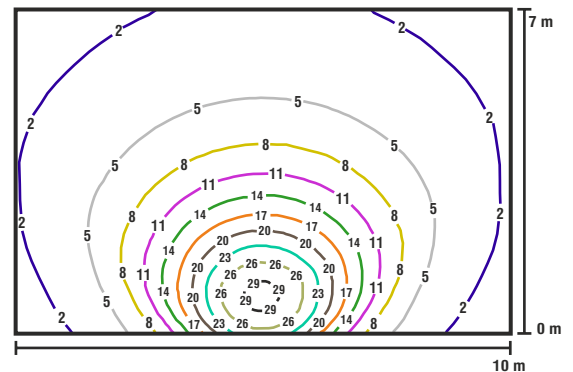
Illumination Curve



Luminance Distribution



Simulation Diagram



HL-WALL-12 Solar Lamp



HaAdjustable light beam, ideal for homes requiring lighting that depends on motion detection in the area.

Smart Battery Management (SBM) for longer battery lifespan
High-efficiency monocrystalline solar panel

Different operation modes selectable by the user:
M1: 50 lm until PIR activation (100% for 10s)
M2: 0% until PIR activation (100% for 10s)
M3: 50 lm continuous until dawn (without PIR)

More than 10 nights of continuous operation with partial recharges on cloudy or rainy days.



OSRAM LEDs (190 lm/W)
PIR for automatic activation



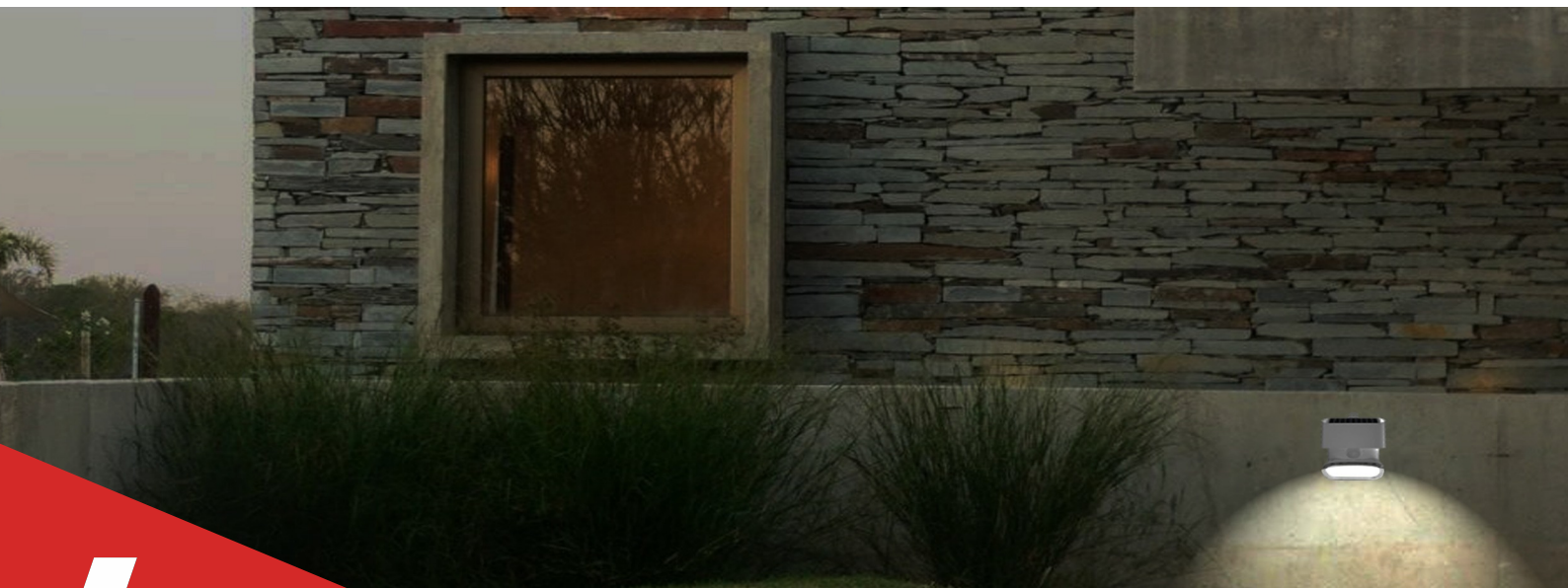
PIR Sensor



High-efficiency
Monocrystalline solar panel

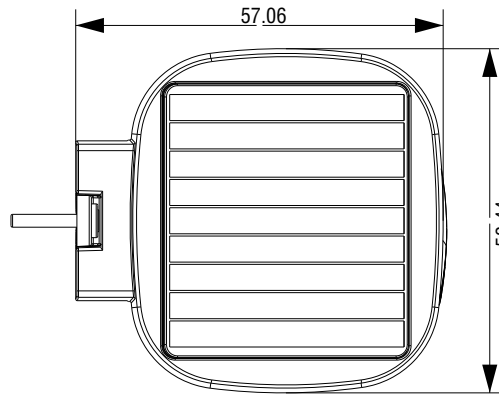


IP65 protection / IK10 impact
resistance for outdoor use

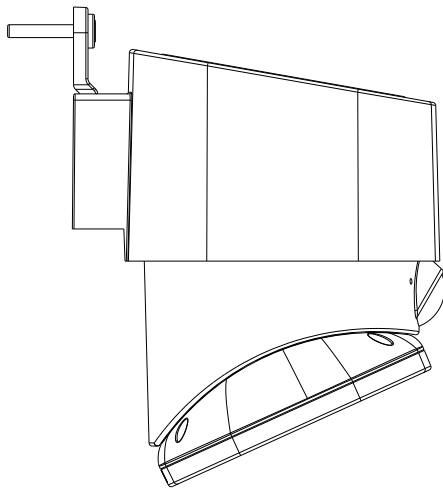


Dimensions / Dimensiones

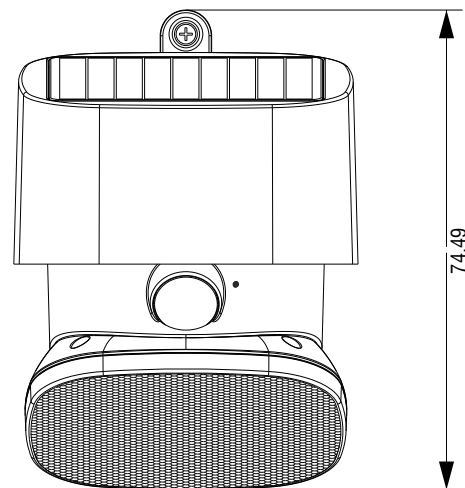
Top View / Vista Superior



Side View / Vista Lateral



Front View / Vista Frontal



Packing Information / Información de Empacado:

Model Modelo	Packing Type Tipo de Empaque	Packed Units Unidades Empacadas	Dimensions / Dimensiones Carton / Cartón (mm)	Carton Weight / Peso Cartón (Kg)	
				Net/Neto	Gros/Bruto
HL-WALL-12	Inner Box / Caja Interna	1	113 x 125 x 140	0.5	0.55
	Carton / Cartón	24	467 x 387 x 298	12	12.5

Net and Gross weight information is for reference purposes only / La información de pesos Neto y Bruto, es solo referencial

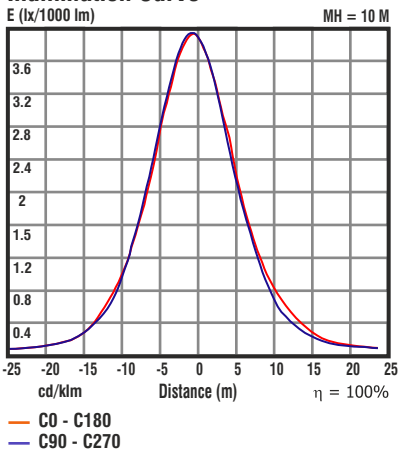
HL-WALL-12

Technical Specifications / Especificaciones Técnicas

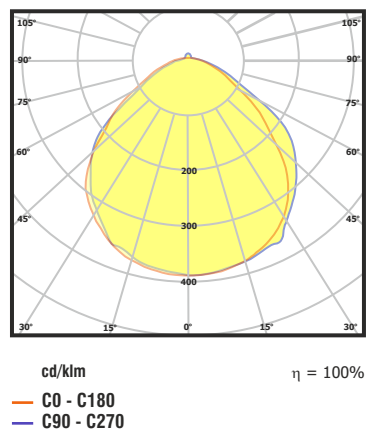
HL-WALL-12	
Luminosity / Luminosidad (LM)	2000
SOLAR PANEL / PANEL SOLAR	
Type & Capacity / Tipo y Capacidad	Monocrystalline / Monocristalino, 1W
Li-Ion BATTERY / BATERIA Li-Ion	
Capacity / Capacidad	3.7 Vdc / 14.8 WH / 2.000 mAh
Charge & Discharge Temperature / Temperatura de Carga y Descarga	Charge / Carga: 0 to/a 45 °C Discharge / Descarga: -20 to/a 60 °C
Recharge Time / Tiempo de Recarga	20 H
ILLUMINATION / ILUMINACION	
LED (OSRAM)	2835 - 39pcs
Light Color Temperature / Temperatura de Color de la Luz	4000K, Ra 80+
Efficiency / Eficiencia	190 lm/W
OPERATION / OPERACION	
Backup (During cloudy days) / Autonomía (con Poca Luz Solar)	Up to 10 nights / Hasta 10 noches
Operation Modes / Modos de Operación	Mode 1: 50LM + PIR 2000LM Mode 2: 0LM + PIR 2000LM Mode 3: 50LM until Dawn (Hasta amanecer)
Mode Indication / Indicación de Modo	Mode 1: 1 Flash - Mode 2: 2 Flashes - Mode 3: 3 Flashes Modo 1: 1 Destello - Modo 2: 2 Destellos - Modo 3: 3 Destellos
Capacity Indication / Indicador de Capacidad	N/A
PIR	120°, >5m
IP/IK Codes / Códigos IP/IK	IP65 / IK10
Directives / Normativas	CE (IEC60598-1 / IEC60598-2-3 / EN55015 / EN61547)
Installation Height / Altura de Instalación	3 m

Lighting Curves and Characteristics

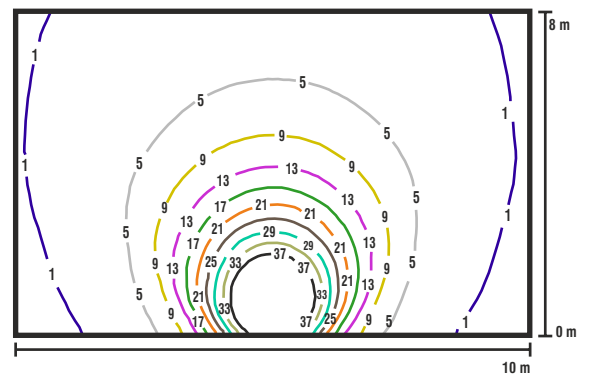
Illumination Curve



Luminance Distribution



Simulation Diagram



HL-WALL-15 Solar Lamp



High-efficiency domestic solar lamp based on OSRAM LEDs. Designed for dual use: a) Wall-mounted b) Handheld portable lamp

Smart Battery Management (SBM) for longer battery lifespan and a wider operating range.

Different operation modes selectable by the user:
M1: 50 lm until PIR activation (100% for 10s)
M2: 0% until PIR activation (100% for 10s)
M3: 200 lm continuous for 6 hours

More than 10 nights of continuous operation with partial recharges on cloudy or rainy days.



Dual use:
Wall-mounted and portable



PIR Sensor



High-efficiency
Monocrystalline solar panel

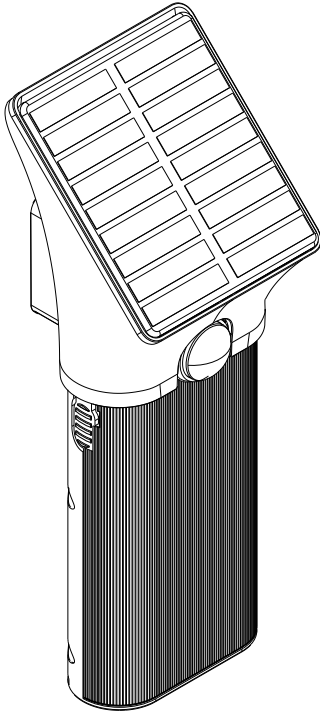


IP65 protection / IK10 impact
resistance for outdoor use

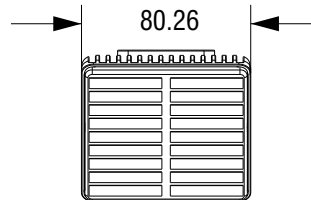


Dimensions / Dimensiones

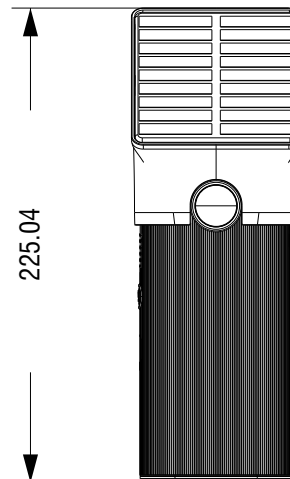
Isometric View / Vista isométrica



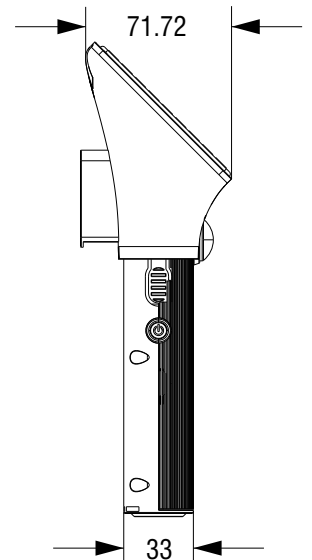
Top View / Vista Superior



Front View / Vista Frontal



Side View / Vista Lateral



Packing Information / Información de Empacado:

Model Modelo	Packing Type Tipo de Empaque	Packed Units Unidades Empacadas	Dimensions / Dimensiones Carton / Cartón (mm)	Carton Weight / Peso Cartón (Kg)	
				Net/Neto	Gros/Bruto
HL-WALL-15	Inner Box / Caja Interna	1	86 x 78 x 235	0.5	0.55
	Carton / Cartón	24	490 x 360 x 250	12	12.5

Net and Gross weight information is for reference purposes only / La información de pesos Neto y Bruto, es solo referencial

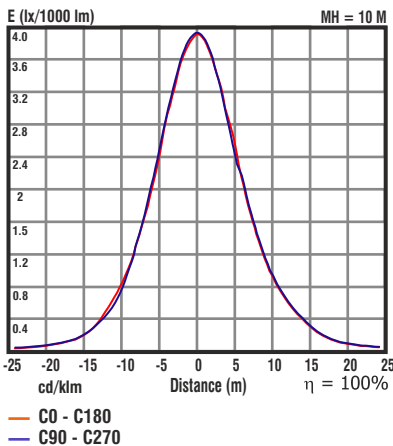
HL-WALL-15

Technical Specifications / Especificaciones Técnicas

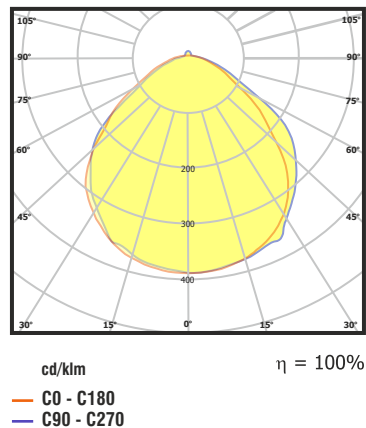
HL-WALL-15	
Luminosity / Luminosidad (LM)	1000
SOLAR PANEL / PANEL SOLAR	
Type / Tipo	Monocrystalline / Monocristalino
Capacity / Capacidad	1 W
Li-Ion BATTERY / BATERIA Li-Ion	
Capacity / Capacidad	3.7 Vdc / 7.4WH / 2.000 mAh
Charge & Discharge Temperature / Temperatura de Carga y Descarga	Charge / Carga: -10 to 60 °C Discharge / Descarga: -20 to 60 °C
Recharge Time / Tiempo de Recarga	10 H
ILLUMINATION / ILUMINACION	
LED (OSRAM)	2835 - 20pcs
Light Color Temperature / Temperatura de Color de la Luz	4000K, Ra 80+
Efficiency / Eficiencia	190 lm/W
OPERATION / OPERACION	
Backup (During cloudy days) / Autonomía (con Poca Luz Solar)	Up to 10 nights / Hasta 10 noches
Operation Modes / Modos de Operación	Mode 1: 50LM + PIR (1000LM) Mode 2: 0LM + PIR (1000LM) Modo e: 200LM x 6h
Mode Indication / Indicación de Modo	Mode 1: Red/Rojo - Mode 2: Green/Verde - Mode 3: Orange/Naranja
Capacity Indication / Indicador de Capacidad	Green / Verde: >70% Orange / Naranja: 70% to / a 30% Red / Rojo: <30%
PIR	120°, >5m
IP/IK Codes / Códigos IP/IK	IP65 / IK10
Directives / Normativas	CE (IEC60598-1 / IEC60598-2-3 / EN55015 / EN61547)
Installation Height / Altura de Instalación	1.6 mts

Lighting Curves and Characteristics

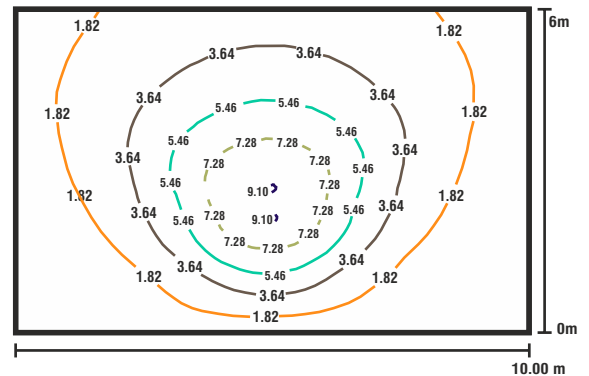
Illumination Curve



Luminance Distribution



Simulation Diagram



HL-WALL-18 Solar Lamp



Modern and minimalist design, with a lighting angle of up to 180°, complying with color temperature standards and anti-glare requirements.

Smart Battery Management (SBM) for longer battery lifespan and a wider operating range.

Different operation modes selectable by the user:
M1: 100 lm until PIR activation (100% for 10s)
M2: 0% until PIR activation (100% for 10s)
M3: 300 lm continuous for 6 hours

More than 10 nights of continuous operation with partial recharges on cloudy or rainy days.



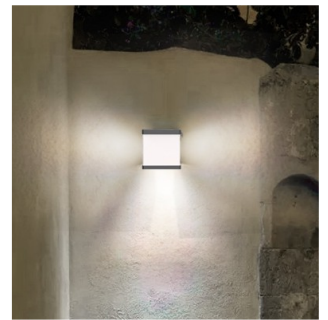
High efficiency OSRAM LEDs (190 lm/W)



PIR Sensor



High-efficiency Monocrystalline solar panel

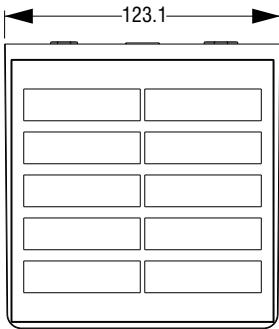


IP65 protection / IK10 impact resistance for outdoor use

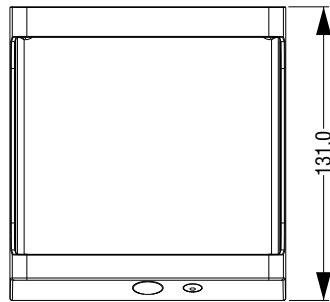


Dimensions / Dimensiones

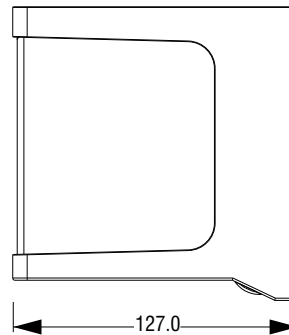
Top View / Vista Superior



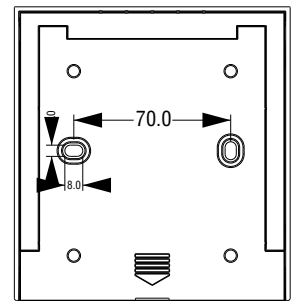
Front View / Vista Frontal



Side View / Vista Lateral



Rear View / Vista Trasera



Easy to Install Design / Diseño de Fácil Instalación



Packing Information / Información de Empacado:

Model Modelo	Packing Type Tipo de Empaque	Packed Units Unidades Empacadas	Dimensions / Dimensiones Carton / Cartón (mm)	Carton Weight / Peso Cartón (Kg)	
				Net/Neto	Gros/Bruto
HL-WALL-18	Inner Box / Caja Interna	1	138 x 130 x 134	0.57	0.64
	Carton / Cartón	27	432 x 408 x 415	15.60	17.4

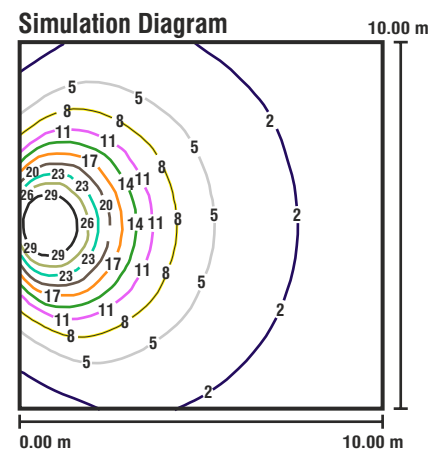
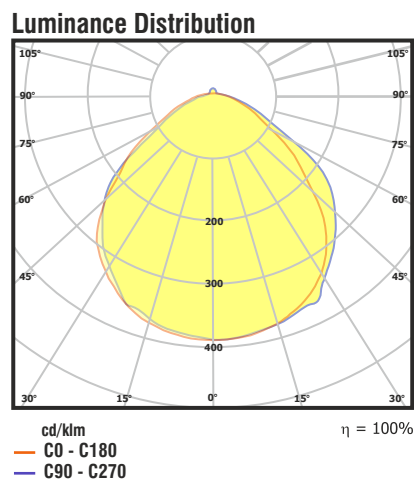
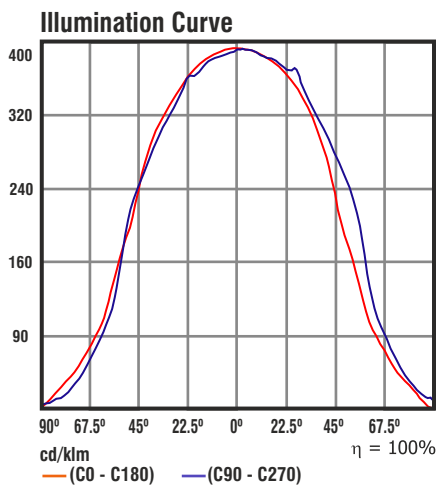
Net and Gross weight information is for reference purposes only / La información de pesos Neto y Bruto, es solo referencial

HL-WALL-18

Technical Specifications / Especificaciones Técnicas

HL-WALL-18	
Luminosity / Luminosidad (LM)	1000
SOLAR PANEL / PANEL SOLAR	
Type / Tipo	Monocrystalline / Monocristalino
Capacity / Capacidad	1.5 W
Li-Ion BATTERY / BATERIA Li-Ion	
Capacity / Capacidad	3.7 Vdc / 7.4WH / 2.000 mAh
Charge & Discharge Temperature / Temperatura de Carga y Descarga	Charge / Carga: 0 to/a 45 °C Discharge / Descarga: -20 to/a 60 °C
Recharge Time / Tiempo de Recarga	7 H
ILLUMINATION / ILUMINACION	
LED (OSRAM)	2835 - 20pcs
Light Color Temperature / Temperatura de Color de la Luz	4000K, Ra 80+
Efficiency / Eficiencia	190 lm/W
OPERATION / OPERACION	
Backup (During cloudy days) / Autonomía (con Poca Luz Solar)	Up to 10 nights / Hasta 10 noches
Operation Modes / Modos de Operación	Mode 1: 100 LM + PIR 1000 LM (10Seg) Mode 2: 0 LM + PIR 1000 LM (10Seg) Mode 3: 300 LM x 6h
Mode Indication / Indicación de Modo	Mode 1: 1 Flash - Mode 2: 2 Flashes - Mode 3: 3 Flashes Modo 1: 1 Destello - Modo 2: 2 Destellos - Modo 3: 3 Destellos
Capacity Indication / Indicador de Capacidad	N/A
PIR	120°, >3m
IP/IK Codes / Códigos IP/IK	IP65 / IK10
Directives / Normativas	CE (IEC60598-1 / IEC60598-2-3 / EN55015 / EN61547)
Installation Height / Altura de Instalación	2.5 to/a 3.5 mts

Lighting Curves and Characteristics



HL-WALL-20 Solar Lamp



HL-WALL-40 Solar Lamp



Ideal for homes that require high-intensity lighting. Model Wall-20 delivers 3000 lm (equivalent to 300 W incandescent lighting) and model Wall-40 delivers 6000 lm (equivalent to 600 W).

Split design (solar panel separated from the lamp) with a 4 m connection cable.

Adjustable light color temperature selectable by the user. Options: 3000 K and 5700 K.

Smart Battery Management (SBM) for longer battery lifespan.

Different operation modes selectable by the user:

M1: 50% (5 h) + 10% until dawn // M2: 30% (5 h) + 10% until dawn // M3: 20% all night

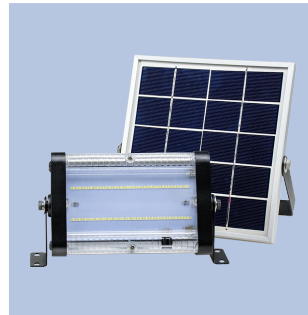
More than 10 nights of continuous operation with partial recharges on cloudy or rainy days.



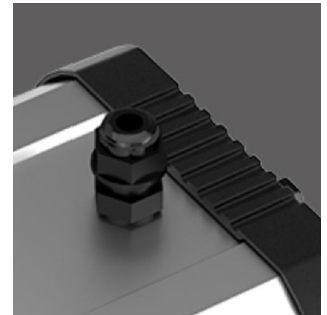
OSRAM 3030 LED (190 lm/W)
3000 K / 5700 K, Ra 70+



Power button (ON/OFF)
and mode selector



Mono solar panel (> 21%)
Wall-20: 5 W
Wall-40: 10 W

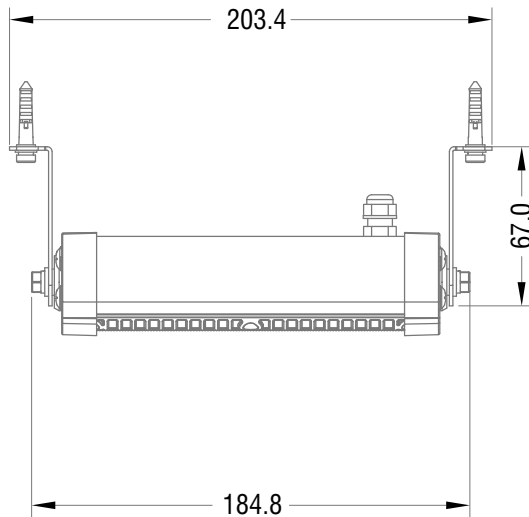


IP65 protection for outdoor use

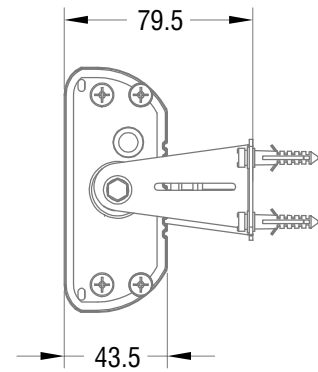


Dimensions / Dimensiones

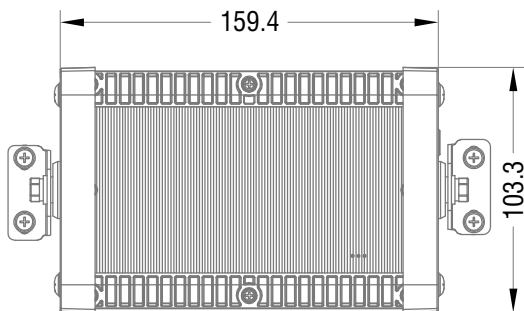
Top View / Vista Superior



Right Side View / Vista Lateral Derecha



Front View / Vista Frontal



Packing Information / Información de Empacado:

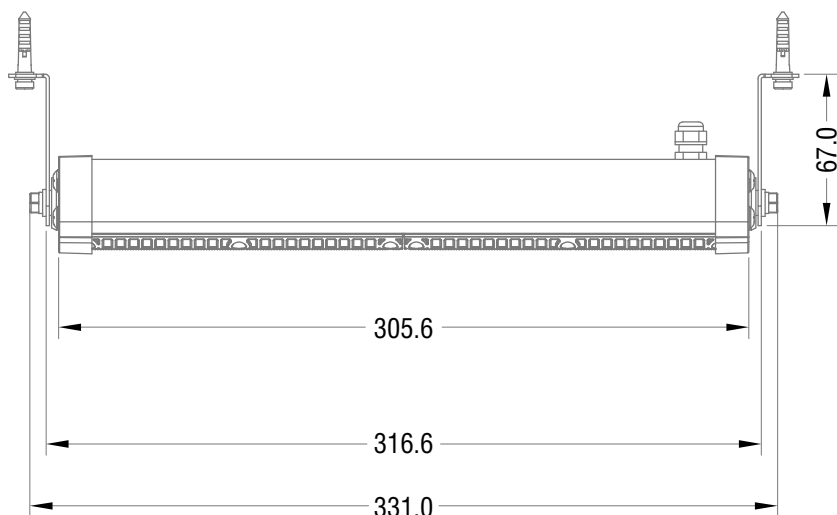
Model Modelo	Packing Type Tipo de Empaque	Packed Units Unidades Empacadas	Dimensions / Dimensiones Carton / Cartón (mm)	Carton Weight / Peso Cartón (Kg)	
				Net/Neto	Gros/Bruto
HL-WALL-20	Inner Box / Caja Interna	1	190 x 85 x 210	1,2	1,4
	Carton / Cartón	8	400 x 360 x 230	9,6	11,2

Net and Gross weight information is for reference purposes only / La información de pesos Neto y Bruto, es solo referencial

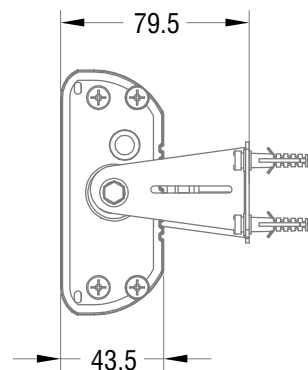
HL-WALL-40

Dimensions / Dimensiones

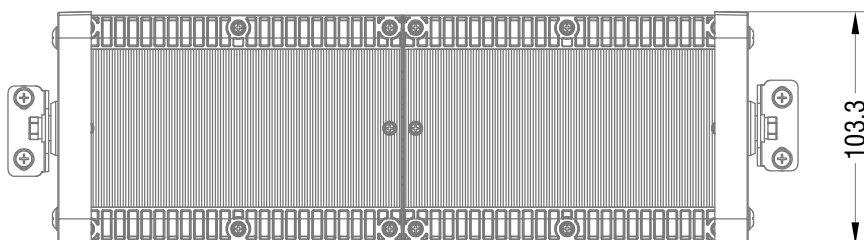
Top View / Vista Superior



Right Side View /
Vista Lateral Derecha



Front View / Vista Frontal



Packing Information / Información de Empacado:

Model Modelo	Packing Type Tipo de Empaque	Packed Units Unidades Empacadas	Dimensions / Dimensiones Carton / Cartón (mm)	Carton Weight / Peso Cartón (Kg)	
				Net/Neto	Gros/Bruto
HL-WALL-40	Inner Box / Caja Interna	1	390 x 85 x 190	2,2	2,6
	Carton / Cartón	6	530 x 410 x 210	13,2	15,6

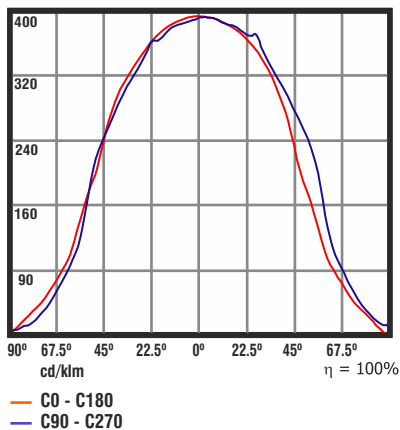
Net and Gross weight information is for reference purposes only / La información de pesos Neto y Bruto, es solo referencial

Technical Specifications / Especificaciones Técnicas

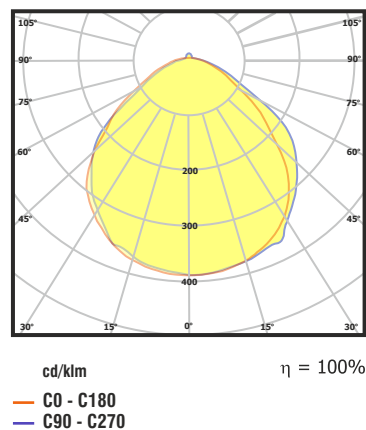
Model / Modelo	HL-WALL-20	HL-WALL-40
Luminosity / Luminosidad (LM)	3000	6000
SOLAR PANEL / PANEL SOLAR		
Type / Tipo	Monocrystalline / Monocristalino	
Capacity / Capacidad	14V / 5W	14V / 10W
Li-Ion BATTERY / BATERIA Li-Ion		
Capacity / Capacidad	3.7V / 28.86WH / 2.600 mAH	3.7V / 57.72WH / 2.600 mAH
Charge & Discharge Temperature / Temperatura de Carga y Descarga	Charge / Carga: 0 to/a 45 °C Discharge / Descarga: -20 to/a 60 °C	
Recharge Time / Tiempo de Recarga	7.5 H	
ILLUMINATION / ILUMINACION		
LED (OSRAM)	3030 - 30 pcs	
Light Color Temperature / Temperatura de Color de la Luz	3000K / 5700K (User Adjustable / Seleccionable por el Usuario), Ra 80+	
Efficiency / Eficiencia	190 lm/W	
OPERATION / OPERACION		
Backup (During cloudy days) / Autonomía (con Poca Luz Solar)	Up to 10 nights / Hasta 10 noches	
Operation Modes / Modos de Operación	Mode 1 : 50% x 5h+10% Until Dawn / Hasta amanecer Mode 2 : 30% x 5h + 10% Until Dawn / Hasta amanecer Mode 3 : 20% Until Dawn / Hasta amanecer T : 100% x 1h or 2h (Remotely Adjustable/Ajustable con control)	
Mode Indication / Indicación de Modo	Mode 1 : Red - Mode 2 : Green - Mode 3 : Orange - T : Green Flashing Modo 1 : Rojo - Modo 2 : Verde - Modo 3 : Naranja - T : Verde Intermitente	
Capacity Indication / Indicador de Capacidad	Green / Verde: $\geq 80\%$ Orange / Naranja: 80% to / a 40% Red / Rojo: $< 40\%$	
IP Code / Código IP	IP65	
Directives / Normativas	CE (IEC60598-1 / IEC60598-2-3 / EN55015 / EN61547)	
Installation Height / Altura de Instalación	2m to/a 4m	4m to/a 6m

Lighting Curves and Characteristics

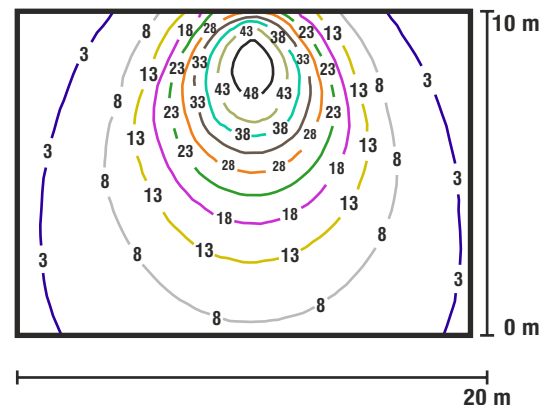
Illumination Curve



Luminance Distribution



Simulation Diagram



HL-POLE-03 Solar Lamp



Remote control included

A professional solution for automatic home lighting with PIR sensor. Includes bracket for pole installation. (Note: pole not included).

Smart Battery Management (SBM) for longer battery lifespan
High-efficiency 5W polycrystalline solar panel (>19%)

Different operation modes selectable by the user:

M1: 120 lm continuous. With PIR activation: 3000 lm (10s)

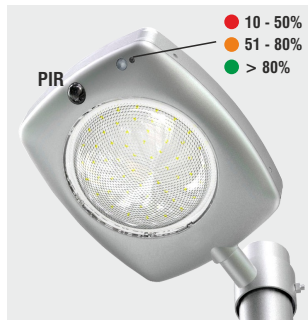
M2: 240 lm continuous. With PIR activation: 3000 lm (10s)

M3: 400 lm (5h) + 80 lm until dawn. With PIR: 3000 lm (10s)

More than 10 nights of continuous operation with partial recharges on cloudy or rainy days.



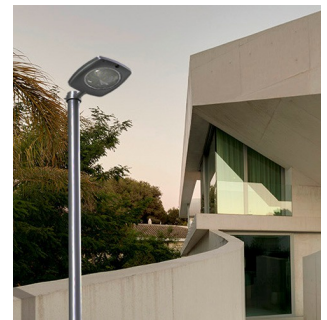
OSRAM LEDs (190 lm/W),
4000K, Ra 80+



PIR sensor +
battery level indicator



Aluminum structure
bracket included

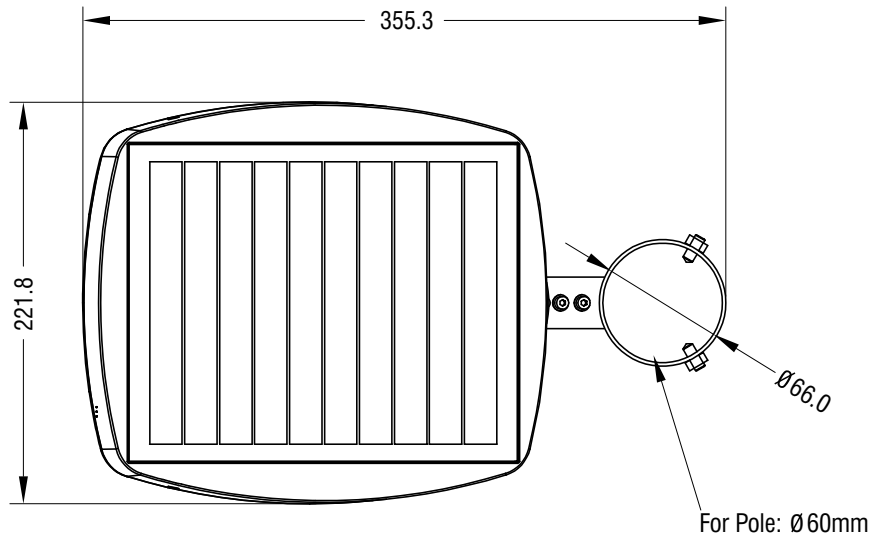


IP65 protection / IK10 impact
resistance for outdoor use

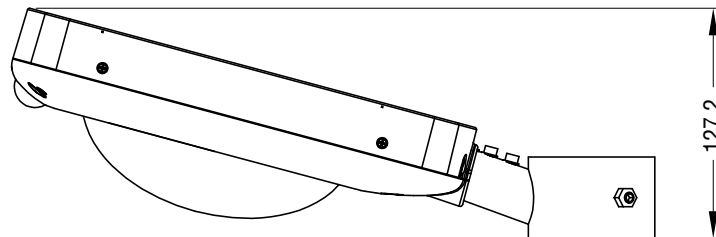


Dimensions / Dimensiones

Top View / Vista Superior



Side View / Vista Lateral



Packing Information / Información de Empacado:

Model Modelo	Packing Type Tipo de Empaque	Packed Units Unidades Empacadas	Dimensions / Dimensiones Carton / Cartón (mm)	Carton Weight / Peso Cartón (Kg)	
				Net/Neto	Gros/Bruto
HL-POLE-03	Inner Box / Caja Interna	1	400 x 112 x 245	1.71	1.94
	Carton / Cartón	4	465 x 420 x 265	7.87	8.86

Net and Gross weight information is for reference purposes only / La información de pesos Neto y Bruto, es solo referencial

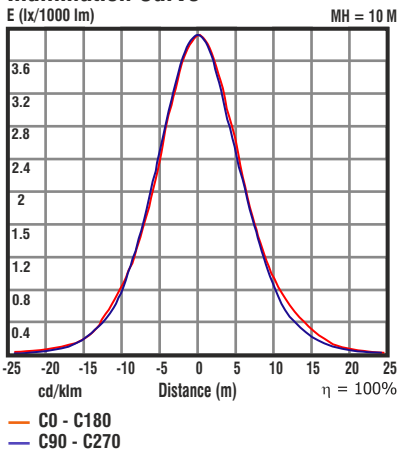
HL-POLE-03

Technical Specifications / Especificaciones Técnicas

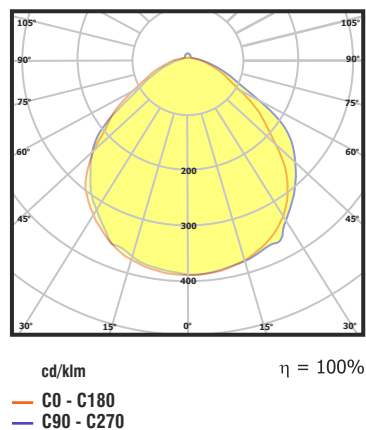
HL-POLE-03	
Luminosity / Luminosidad (LM)	3000
SOLAR PANEL / PANEL SOLAR	
Type & Capacity / Tipo y Capacidad	Polycrystalline / Policristalino, 5W
Li-Ion BATTERY / BATERIA Li-Ion	
Capacity / Capacidad	3.7 Vdc / 38.48 WH / 2.600 mAh
Charge & Discharge Temperature / Temperatura de Carga y Descarga	Charge / Carga: 0 to/a 45 °C Discharge / Descarga: -20 to/a 60 °C
Recharge Time / Tiempo de Recarga	10 H
ILLUMINATION / ILUMINACION	
LED (OSRAM)	2835 - 60pcs
Light Color Temperature / Temperatura de Color de la Luz	4000K, Ra 80+
Efficiency / Eficiencia	190 lm/W
OPERATION / OPERACION	
Backup (During cloudy days) / Autonomía (con Poca Luz Solar)	Up to 10 nights / Hasta 10 noches
Operation Modes / Modos de Operación	Mode 1: 120 LM + PIR 3000 LM x 10s Mode 2: 240 LM + PIR 3000 LM x 10s Mode 3: 400 LM x 5h + 80LM / PIR 3000 LM x 10s until dawn (Hasta amanecer)
PIR	120°, >5m
IP/IK Codes / Códigos IP/IK	IP65 / IK10
Directives / Normativas	CE (IEC60598-1 / IEC60598-2-3 / EN55015 / EN61547)
Installation Height / Altura de Instalación	3m to/a 6m

Lighting Curves and Characteristics

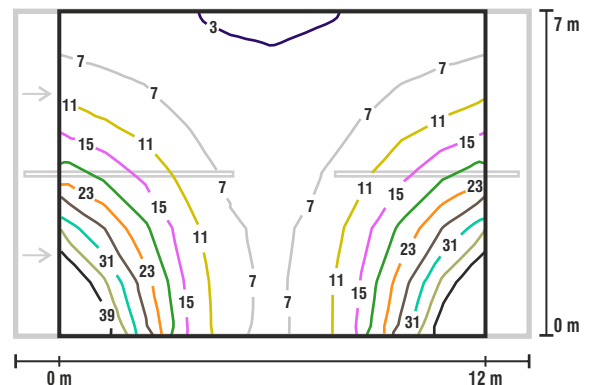
Illumination Curve



Luminance Distribution



Simulation Diagram



HL-BASE-07 Solar Lamp

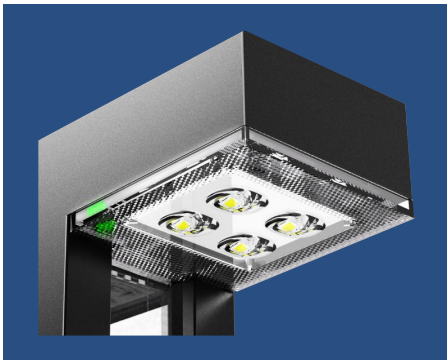


100 lm floor lamp with a modern, robust, and elegant design.
A professional solution for paths and gardens.

Smart Battery Management (SBM) for longer battery lifespan
High-efficiency polycrystalline solar panel

Different operation modes selectable by the user:
M1: 50 lm
M2: 20 lm

More than 10 nights of continuous operation with partial recharges on cloudy or rainy days.



OSRAM LEDs (190 lm/W)
3000K / Ra 80+



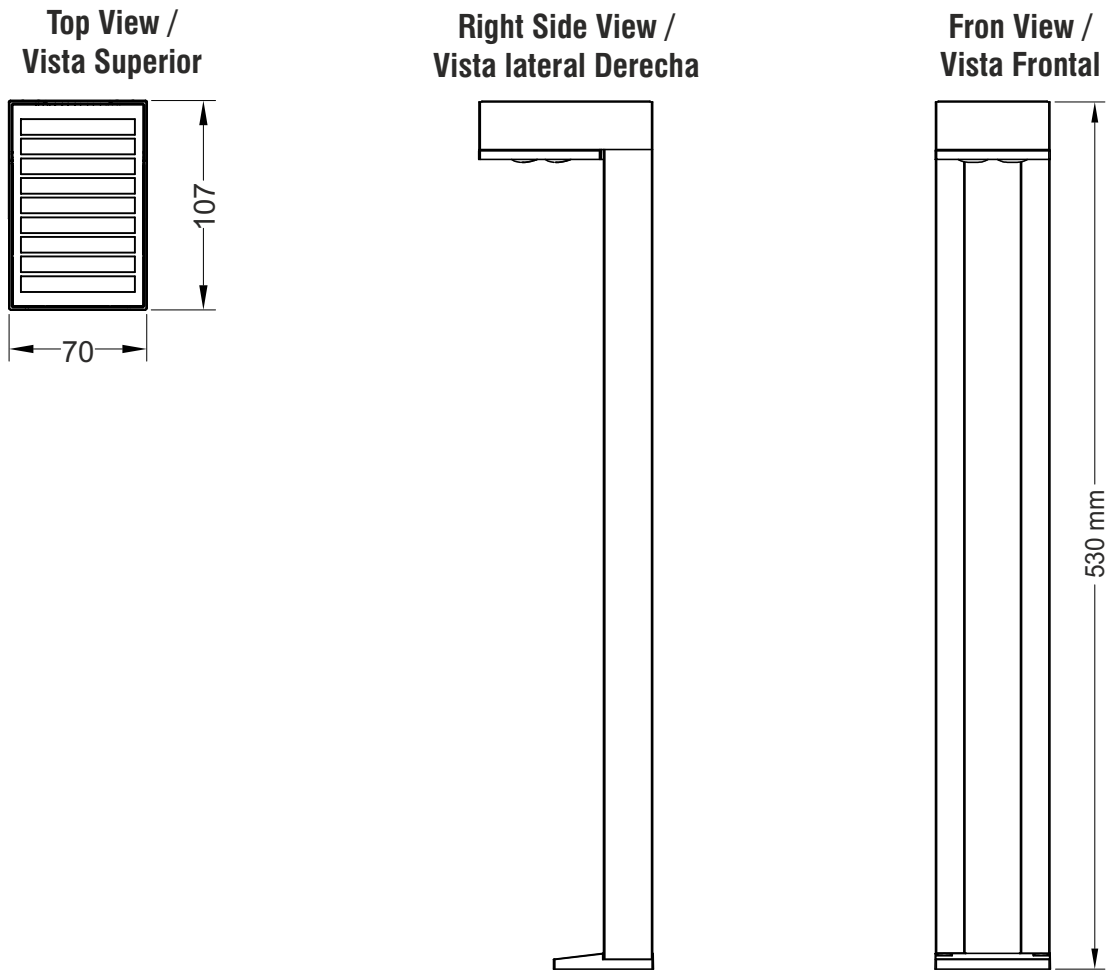
Ideal for lighting paths
and gardens



Aluminum structure IP65 protection.
IK10 impact resistance



Dimensions / Dimensiones



Packing Information / Información de Empacado:

Model Modelo	Packing Type Tipo de Empaque	Packed Units Unidades Empacadas	Dimensions / Dimensiones Carton / Cartón (mm)	Carton Weight / Peso Cartón (Kg)	
				Net/Neto	Gros/Bruto
HL-BASE-07	Inner Box / Caja Interna	2	134 x 98 x 620	1.26	1.44
	Carton / Cartón	24	420 x 413 x 640	17.4	18.6

Net and Gross weight information is for reference purposes only / La información de pesos Neto y Bruto, es solo referencial

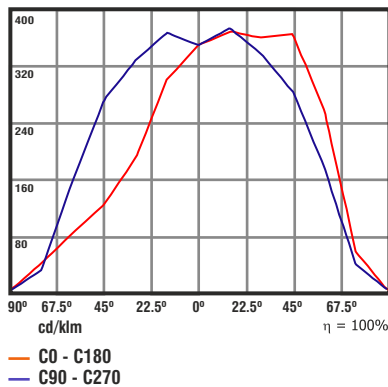
HL-BASE-07

Technical Specifications / Especificaciones Técnicas

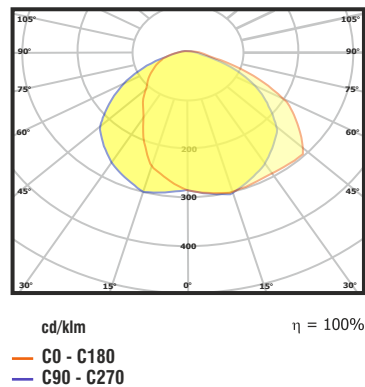
HL-BASE-07	
Luminosity / Luminosidad (LM)	100
SOLAR PANEL / PANEL SOLAR	
Type & Capacity / Tipo y Capacidad	Polycrystalline / Policristalino, 0.6W
Li-Ion BATTERY / BATERIA Li-Ion	
Capacity / Capacidad	3.7 Vdc / 2.96 WH / 800 mAh
Charge & Discharge Temperature / Temperatura de Carga y Descarga	Charge / Carga: 0 to/a 45 °C Discharge / Descarga: -20 to/a 60 °C
Recharge Time / Tiempo de Recarga	6 H
ILLUMINATION / ILUMINACION	
LED (OSRAM)	2835 - 04pcs
Light Color Temperature / Temperatura de Color de la Luz	3000K, Ra 80+
Efficiency / Eficiencia	190 lm/W
OPERATION / OPERACION	
Backup (During cloudy days) / Autonomía (con Poca Luz Solar)	Up to 10 nights / Hasta 10 noches
Operation Modes / Modos de Operación	Mode 1: 50 LM / Mode 2: 20 LM
Mode Indication / Indicación de Modo	Mode 1: 1 Flash - Mode 2: 2 Flashes Modo 1: 1 Destello - Modo 2: 2 Destellos
Capacity Indication / Indicador de Capacidad	Green / Verde: >70% Orange / Naranja: 70% to / a 30% Red / Rojo: <30%
PIR	N/A
IP/IK Codes / Códigos IP/IK	IP65 / IK10
Directives / Normativas	CE (IEC60598-1 / IEC60598-2-3 / EN55015 / EN61547)
Installation Height / Altura de Instalación	Ground level / A nivel del suelo

Lighting Curves and Characteristics

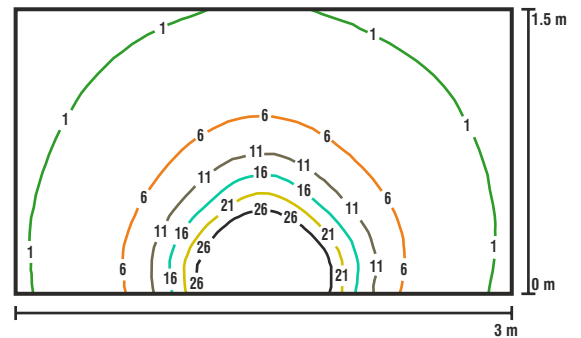
Illumination Curve



Luminance Distribution



Simulation Diagram



HL-BASE-15 Solar Lamp



100 lm floor lamp for domestic gardens, available in short and tall versions (78 cm).

OSRAM LED model 2835, 3000K, Ra 80+. Equipped with a high-durability Li-ion battery.

HL-BASE-25 Solar Lamp



Smart Battery Management (SBM) for longer lifespan and wider operating range
High-efficiency 1.9 W monocrystalline solar panel

Different operation modes selectable by the user:
M1: 100 lm for the first 5 hours, then 25 lm until dawn
M2: 50 lm until dawn

Up to 10 nights of continuous operation with partial recharges on cloudy or rainy days.



High-efficiency monocrystalline solar panel



3-point fixing base



Ideal for lighting paths and gardens



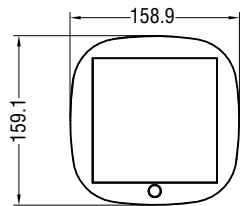
IP65 protection / IK10 impact resistance for outdoor use



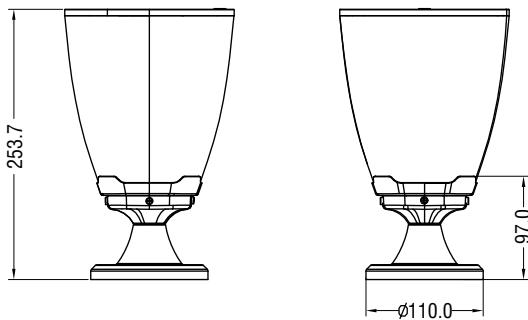
Dimensions / Dimensiones

HL-BASE-15

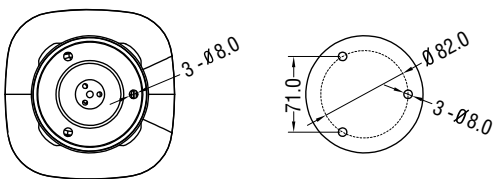
Top View /
Vista Superior



Side View / Vista lateral

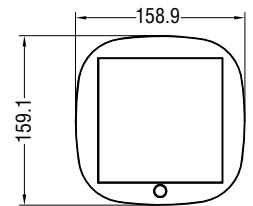


Bottom View (Base)
Vista Inferior (base)

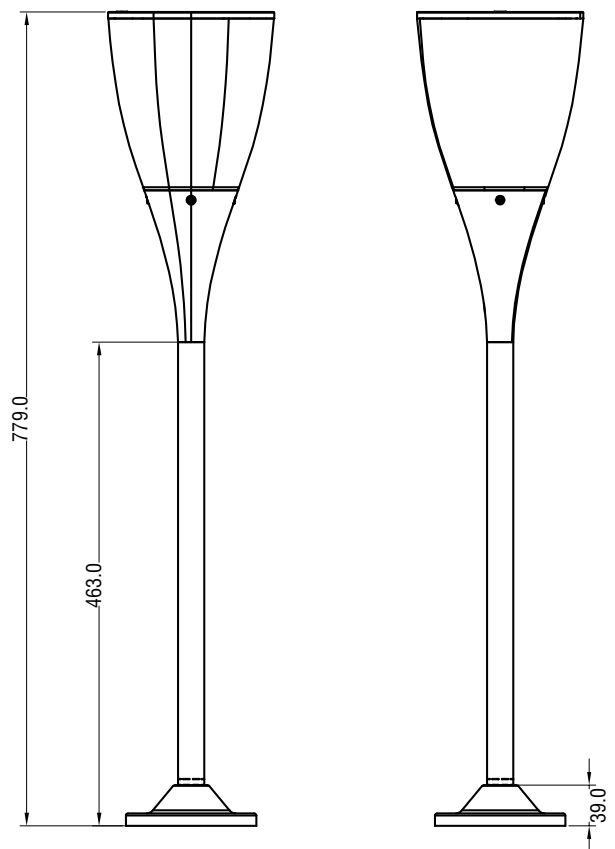


HL-BASE-25

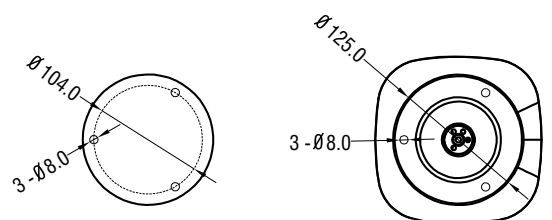
Top View /
Vista Superior



Side View / Vista lateral



Bottom View (Base) / Vista Inferior (base)



HL-BASE-15 & BASE-25

Technical Specifications / Especificaciones Técnicas

MODELO	HL-BASE-15	HL-BASE-25
Luminosity / Luminosidad (LM)	100	
SOLAR PANEL / PANEL SOLAR		
Type / Tipo	Monocrystalline / Monocristalino	
Capacity / Capacidad	5V/1.9W	
Li-Ion BATTERY / BATERIA Li-Ion		
Capacity / Capacidad	3.7V / 7.4WH / 2.000 mAh	
Charge & Discharge Temperature / Temperatura de Carga y Descarga	Charge / Carga: 0 to/a 45 °C Discharge / Descarga: -20 to/a 60 °C	
Recharge Time / Tiempo de Recarga	5.5 H	
ILLUMINATION / ILUMINACION		
LED (OSRAM)	2835 - 24pcs	
Light Color Temperature / Temperatura de Color de la Luz	3000K, Ra 80+	
Efficiency / Eficiencia	190 lm/W	
OPERATION / OPERACION		
Backup (During cloudy days) / Autonomía (con Poca Luz Solar)	Up to 10 nights / Hasta 10 noches	
Operation Modes / Modos de Operación	Mode 1: 100 LM x 5h+25 LM Until dawn / Hasta amanecer Mode 2: 50 LM Until dawn / Hasta amanecer	
Mode Indication / Indicación de Modo	Mode 1: 1 Flash/Destello - Mode 2: 2 Flashes/Destellos	
Capacity Indication / Indicador de Capacidad	N / A	
IP/IK Codes / Códigos IP/IK	IP65 / IK10	
Directives / Normativas	CE (IEC60598-1 / IEC60598-2-3 / EN55015 / EN61547)	

Packing Information / Información de Empacado:

Model Modelo	Packing Type Tipo de Empaque	Packed Units Unidades Empacadas	Dimensions / Dimensiones Carton / Cartón (mm)	Carton Weight / Peso Cartón (Kg)	
				Net/Neto	Gros/Bruto
HL-BASE-15	Inner Box / Caja Interna	1	165 x 165 x 290	1	1.15
	Carton / Cartón	12	685 x 515 x 310	12	15.6
HL-BASE-25	Inner Box / Caja Interna	2	380 x 200 x 350	2.36	3
	Carton / Cartón	12	785 x 635 x 370	14.16	19.8

Net and Gross weight information is for reference purposes only / La información de pesos Neto y Bruto, es solo referencial

HL-STEP-06 Solar Lamp

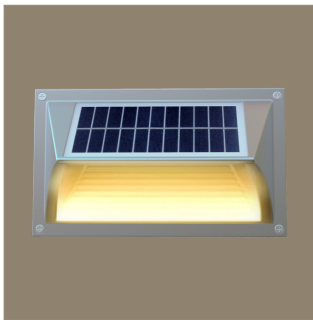


Modern and minimalist design, with a lighting angle of up to 180°. Ideal for homes requiring low-intensity lighting in very dark areas. Recommended installation height: below 1 meter.

Smart Battery Management (SBM) for longer battery lifespan and wider operating range.

Continuous and constant 20 lm illumination throughout the night. Automatic ON/OFF function.

More than 3 nights of continuous operation with partial recharges on cloudy or rainy days.



OSRAM LEDs (190 lm/W)
3000K, Ra 80+



Easy wall installation
with 4 fixing points



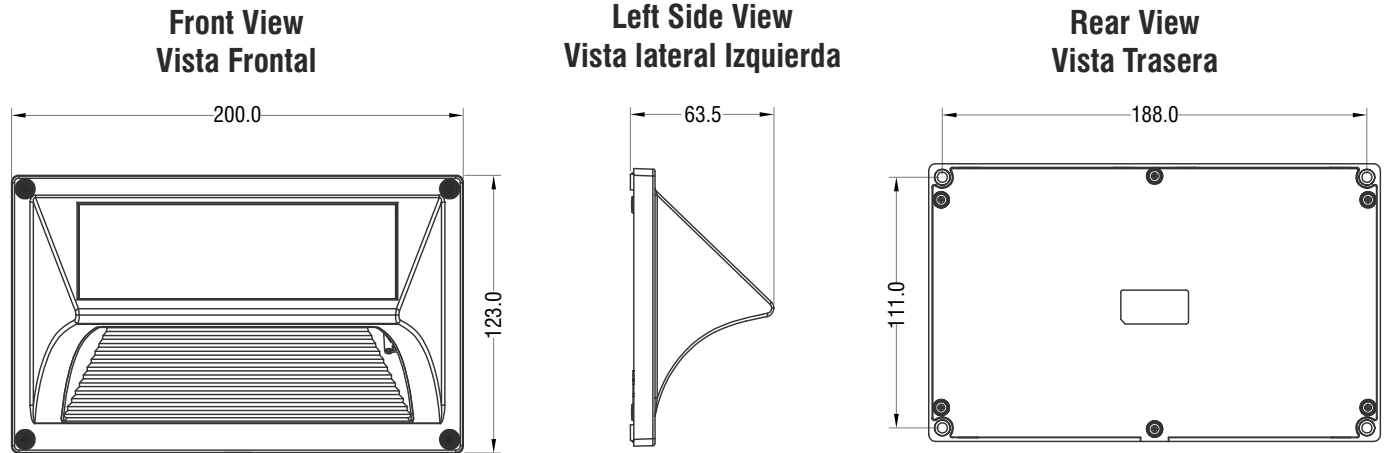
Durable aluminum and
ABS structure



IP65 protection
for outdoor use



Dimensions / Dimensiones



Technical Specifications / Especificaciones Técnicas

HL-STEP-06	
Luminosity / Luminosidad (LM)	20
SOLAR PANEL / PANEL SOLAR	
Type / Tipo	Polycrystalline / Policristalino
Capacity / Capacidad	1W
Li-Ion BATTERY / BATERIA Li-Ion	
Capacity / Capacidad	3.7 Vdc / 7.4 WH / 2.000 mAh
Charge & Discharge Temperature / Temperatura de Carga y Descarga	Charge / Carga: 0 to/a 45 °C Discharge / Descarga: -20 to/a 60 °C
Recharge Time / Tiempo de Recarga	11 H
ILLUMINATION / ILUMINACION	
Light Color Temp. / Temp. de Color de la Luz	3000K, Ra 80+
Efficiency / Eficiencia	190 lm/W
OPERATION / OPERACION	
Backup (Cloudy days) / Autonomía (Días nublados)	Up to 3 nights / Hasta 3 noches
Operation Modes / Modos de Operación	Automatic Turn-On, Turn-Off, and Battery Charge. Constant Bright all night Encendido, Apagado y Carga de batería automáticos, iluminación constante
IP Code / Código IP	IP65
Directives / Normativas	CE (IEC60598-1 / IEC60598-2-3 / EN55015 / EN61547)
Installation Height / Altura de Instalación	< 2m

Packing Information / Información de Empacado:

Model Modelo	Packing Type Tipo de Empaque	Packed Units Unidades Empacadas	Dimensions / Dimensiones Carton / Cartón (mm)	Carton Weight / Peso Cartón (Kg)	
				Net/Neto	Gros/Bruto
HL-STEP-06	Inner Box / Caja Interna	1	200 X 64 X 123	0.5	0.55
	Carton / Cartón	20	205 x 325 x 620	10	11

Net and Gross weight information is for reference purposes only / La información de pesos Neto y Bruto, es solo referencial